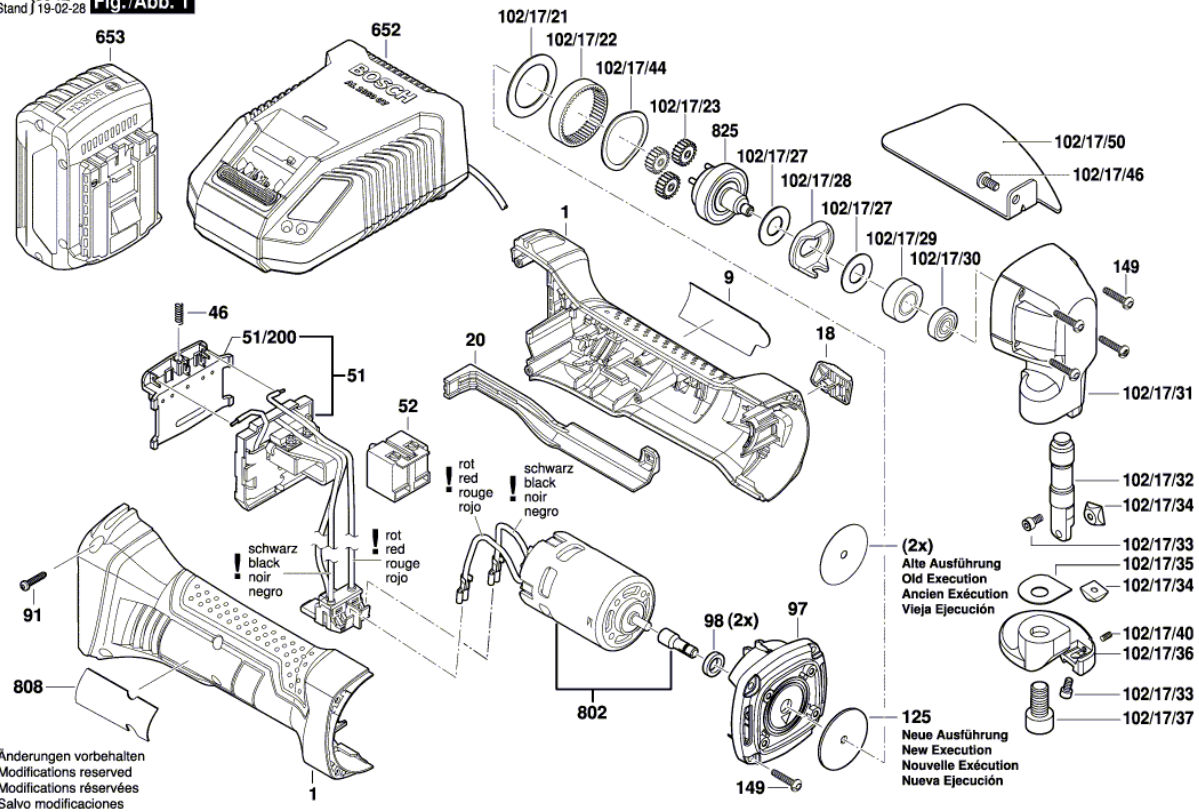


Illustration - Type - E

3 601 J26 200
 Issue | 18-12
 Stand | 19-02-26 **Fig./Abb. 1**



Spare parts list

Item	Part Number	Description	Illustration
1	1 605 108 282	Housing Section BLUE	1
9	3 601 110 616	Manufacturer's nameplate GSC 18V-16	1
18	1 602 025 071	Switch Button	1
20	1 602 319 023	Adjusting Slide	1
46	1 609 280 477	Compression Spring	1
51	1 607 233 340	Electronics Module	1
51/200	1 609 280 478	Contact retainer	1
52	2 607 202 071	On-Off Switch	1
91	1 603 435 071	Thread-forming tap. Screw	1
97	3 605 700 213	Intermediate Flange	1
98	3 600 200 041	Felt Washer	1
102/17/21	1 600 102 029	Washer 1,0 MM THICK	1
102/17/22	1 606 337 004	Ring Gear	1
102/17/23	1 606 337 003	Planet Gear	1
102/17/27	3 600 102 049	Shim ring	1
102/17/28	3 602 311 052	U-Sheet	1
102/17/29	3 600 905 158	Track-Supporting Roller	1
102/17/30	1 600 900 038	Ball Bearing 626 DIN 625	1
102/17/31	1 605 190 266	Gear Housing	1
102/17/32	3 602 317 042	Tappet	1
102/17/33	2 910 401 118	Hex Socket Head Cap Screw DIN 912-M4x8-12.9	1
102/17/34	3 608 635 009	Knife	1
102/17/35	3 602 311 047	Plain Washer 0,2 mm	1
102/17/36	3 606 455 042	Cutting Table	1
102/17/37	2 910 401 289	Hex Socket Head Cap Screw DIN 912-M10x20-12.9	1
102/17/40	3 603 435 056	Set screw	1
102/17/44	1 600 150 013	Spring Washer	1
102/17/46	3 603 391 007	Thread-forming tap. Screw DIN 7500-UM5x10-ST	1
102/17/50	1 601 334 013	Chip Deflector	1
125	3 600 109 026	Sealing disk	1
149	2 603 490 024	Torx Oval-Head Screw 4x25	1
652	2 607 225 921	Charger EU GAL 1880 CV 230/14,4-18V	1
653	2 607 337 069	Battery Pack BBS MR, 18V, 5,0 Ah 48 S	1

Spare parts list

Item	Part Number	Description	Illustration
802	3 607 031 879	DC motor	1
808	3 601 119 923	Nameplate	1
825	3 607 031 860	Eccentric Shaft	1